

Double Balanced Mixer

Model M73T

RF Band

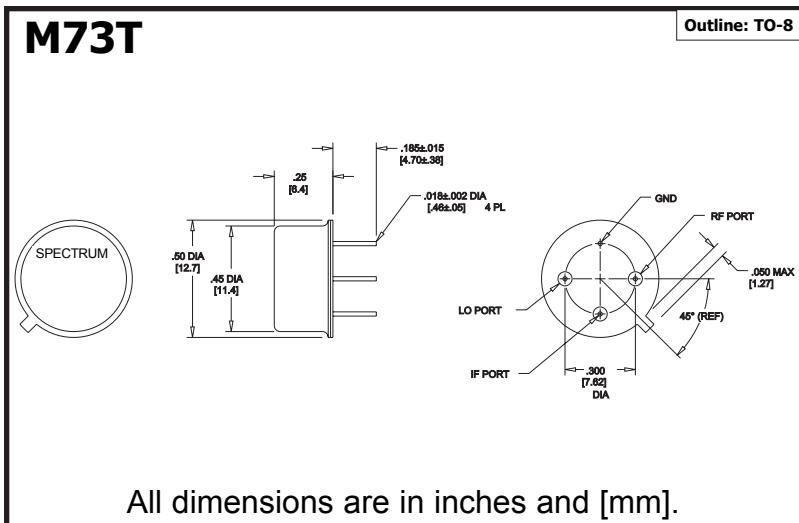
RF 0.8 to 2.4 GHz

Electrical Specifications ⁽¹⁾:

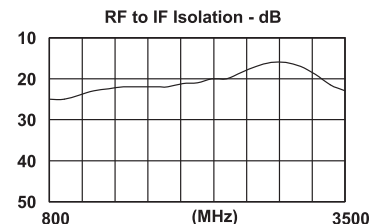
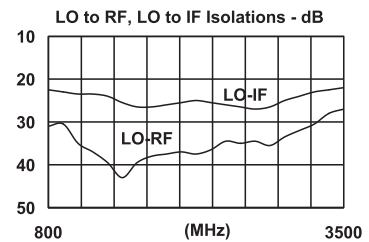
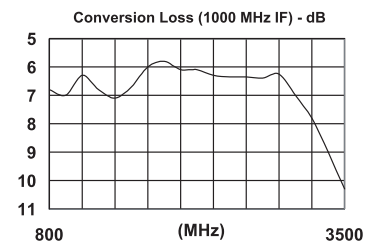
Parameter	Conditions			Specifications		
	RF (GHz)	LO (GHz)	IF (MHz)	Min	Typical	Max
SSB Conversion loss: ⁽²⁾	0.8-2.4	0.8-3.5	DC-1.5		9.0 dB	10.5 dB
Isolation						
LO to RF:		0.8-2.0		25 dB	36 dB	
		2.0-3.5		20 dB	30 dB	
LO to IF:		0.8-3.5		18 dB	21 dB	
Input 1 dB Compression Point:	0.8-2.4	0.8-3.5	DC-1.5		+0 dBm	
Desensitization Point: (RF2 @ -1 dBm)	0.8-2.4	0.8-3.5	DC-1.5		+1.0 dBm	
Input Third Order Intercept Point:	0.8-2.4	0.8-3.5	DC-1.5		+10 dBm	
LO Power: ⁽³⁾		0.8-3.5			+7 dBm	

Notes:

- Specifications are guaranteed when tested as a downconverter in a 50 Ohm system at +25°C with +7dBm LO power. Specifications indicated as typical are not guaranteed.
- SSB Noise figure is nominally within ±0.5 dB of the SSB conversion loss for IF frequencies greater than 10 MHz.
- Usable LO drives are up to 2 dB below and 3 dB above nominal.



Typical Performance at 25°C



Spectrum Microwave · 2144 Franklin Drive N.E. · Palm Bay, FL 32905 · PH (888) 553-7531 · Fax (888) 553-7532

www.SpectrumMicrowave.com Spectrum Microwave (Europe) · 2707 Black Lake Place · Philadelphia, PA 19154 · PH (215) 464-4000 · Fax (215) 464-4001